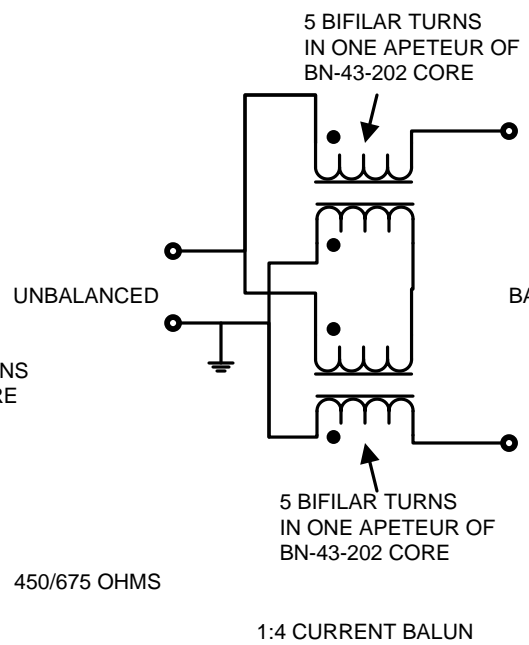
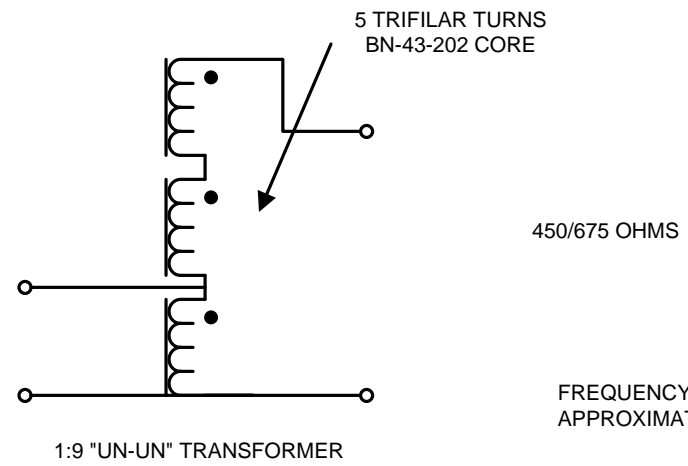
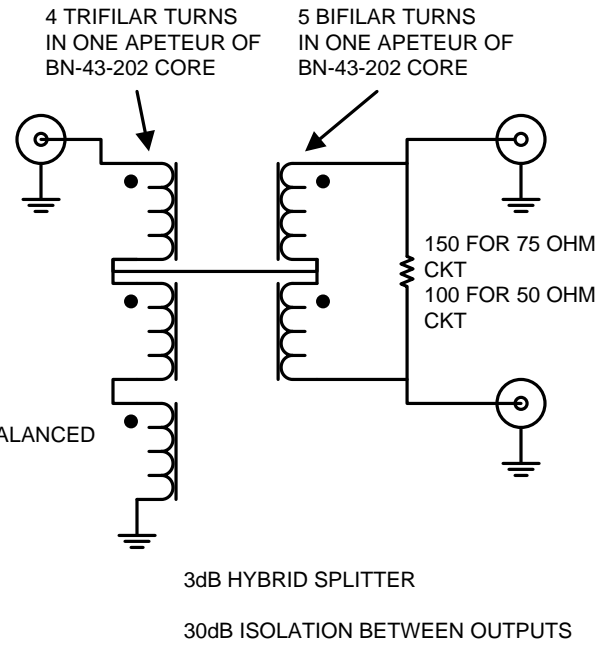
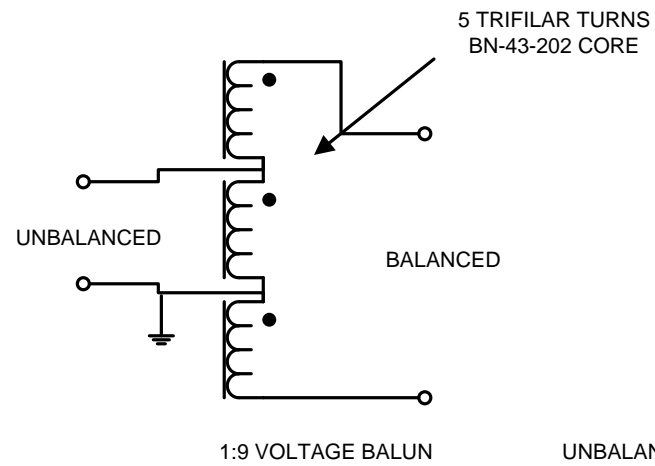
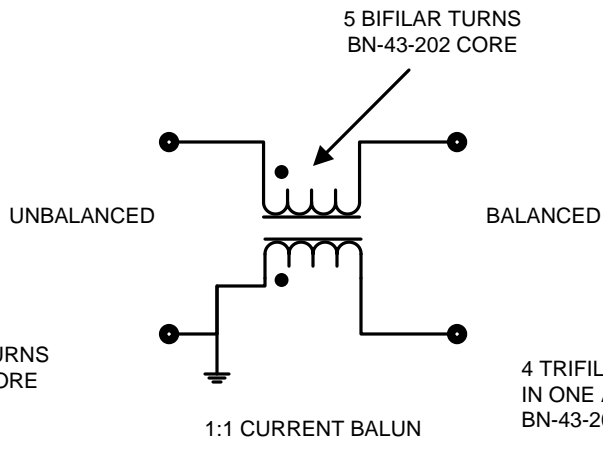
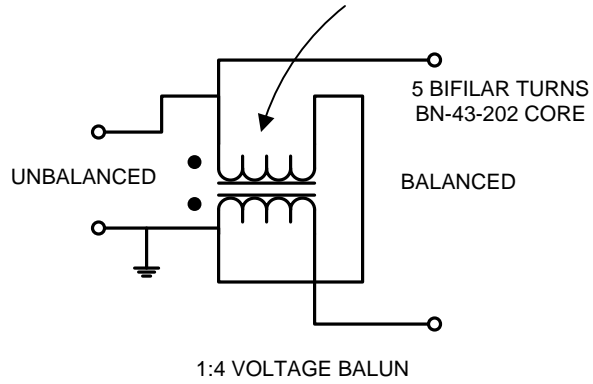


I have transitioned to
 BN-73-202 ferrite cores.
 These provide extended low
 frequency response.
 ARK - 11 AUG 2018



FREQUENCY RANGE OF ALL TRANSFORMERS
 APPROXIMATELY 100kHz TO 30MHZ